

6 INCH 12W COOL WHITE DOWNLIGHT

VOL-6DL-012-CW



SECTION 1: SPECIFICATIONS

POWER	12 W
VOLTAGE	85-277 V
MATERIAL	ALUMINUM, POLYMETHYL METHACRYLATE
LIGHT OUTPUT	950 lm
BEAM ANGLE	120°
CCT	6000-6500K (CW)
IP RATING	30
FIXTURE LIGHT SPAN	50,000 HOURS
HUE	COOL WHITE
SIZE	6 INCH

CERTIFICATIONS

RoHS
Compliant

CE

UL

SECTION 2: LIGHT SOURCE DESCRIPTION (LED CHIP)

LED TYPE	2835 SMD EPISTAR
NUMBER OF LEDS	60

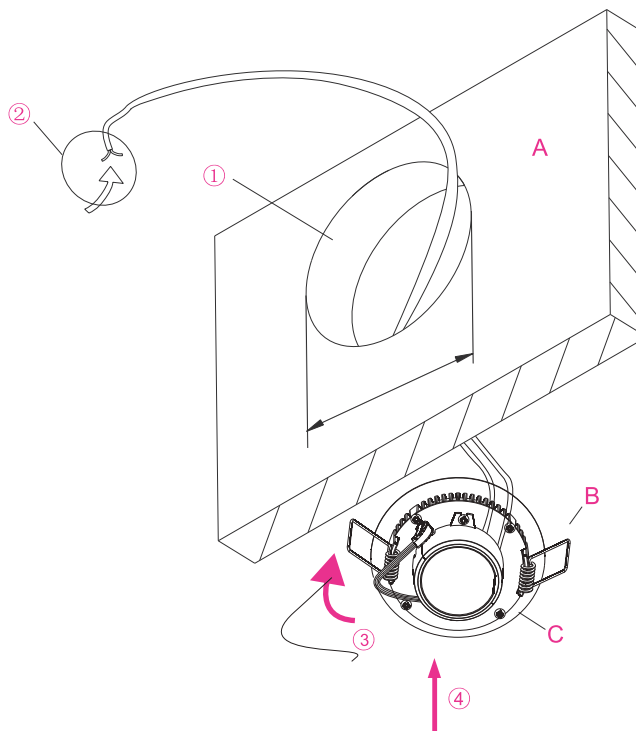
SECTION 3: COMPARABLE OLDER LIGHT SOURCE

6 INCH LED DOWNLIGHT	6 INCH METAL HALIDE DOWNLIGHT
950 LUMENS	982 LUMENS
12 WATT	30 WATT POWER
50,000 HOUR LIFESPAN	200 HOUR LIFESPAN
WITHSTAND VOLTAGE SURGES	FILAMENT DESTROYED WITH SMALL VOLTAGE SURGES
AVAILABLE IN WARM & COOL	ONLY AVAILABLE IN WARM

SECTION 4: INSTALLATION DETAILS

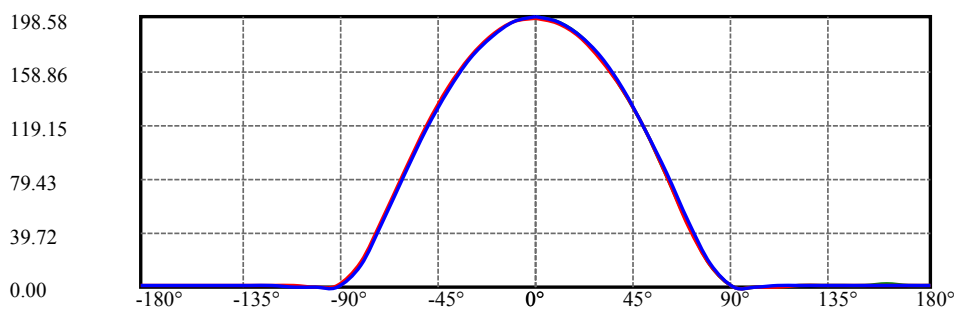
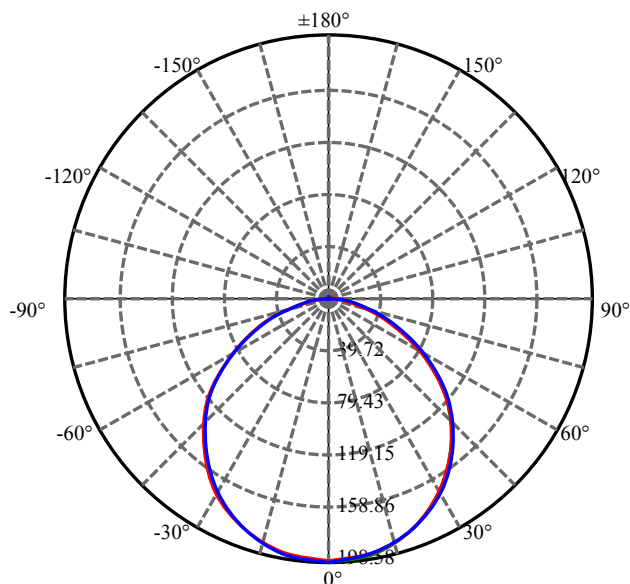
①	make a hole
②	connect the power wire
③	push spring
○	Driver

A	Wall
B	Spring
C	LED lamp
D	Driver



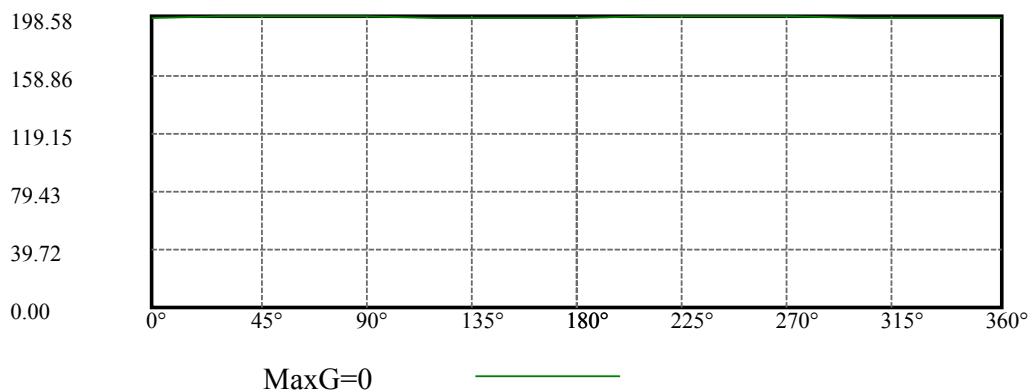
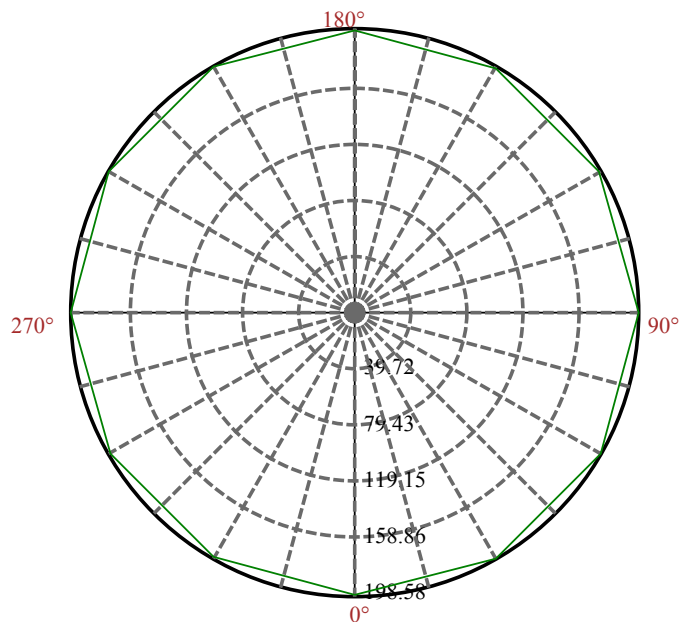
SECTION 5: PHOTOMETRIC DISTRIBUTION

LUMINOUS INTENSITY DISTRIBUTION CURVE

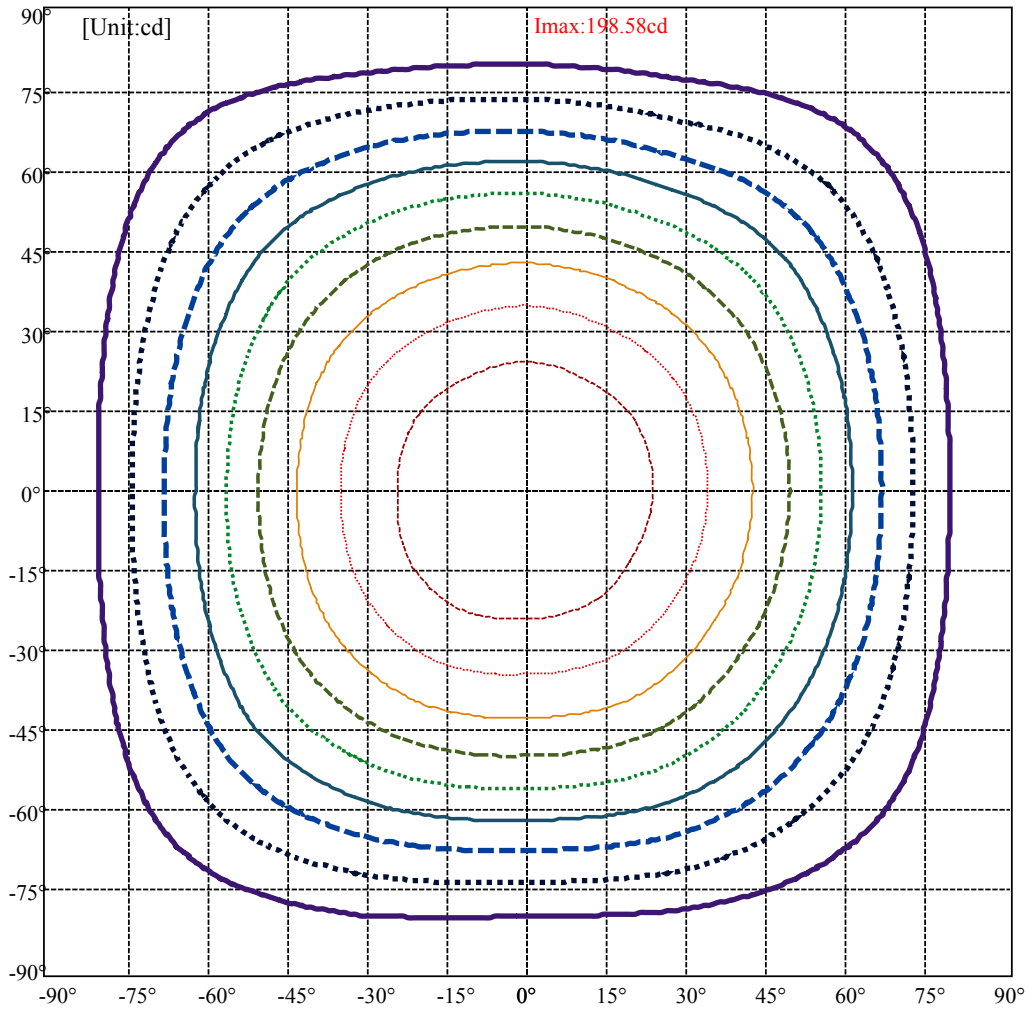


C30(Max): —
 C0/C180: —
 C90/C270: —

LUMINOUS INTENSITY DISTRIBUTION CURVE



SECTION 7: ISO-INTENSITY (V-H)



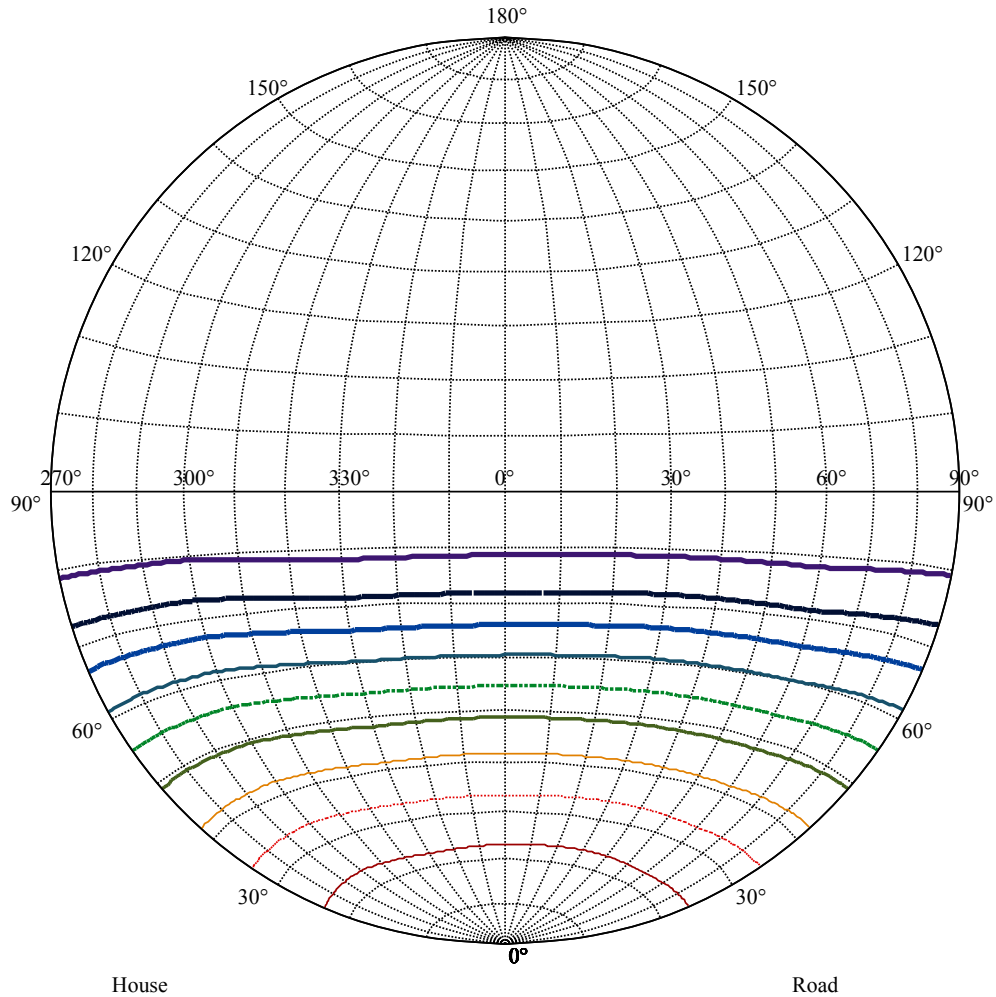
(10%Imax) 19.8068	—
(20%Imax) 39.6136	⋯
(30%Imax) 59.4204	- - -
(40%Imax) 79.2272	—
(50%Imax) 99.034	⋯
(60%Imax) 118.841	- - -
(70%Imax) 138.648	—
(80%Imax) 158.454	⋯
(90%Imax) 178.261	- - -

Equipment: GMS1800B
Temperature(°C): 25.0

Date: 2015-11-5
Humidity(%): 60.0%

Operator: Jason Zhan
Distance(m): 13.00

SECTION 8: ISO CANDELA DIAGRAM ON CIRCULAR WEB



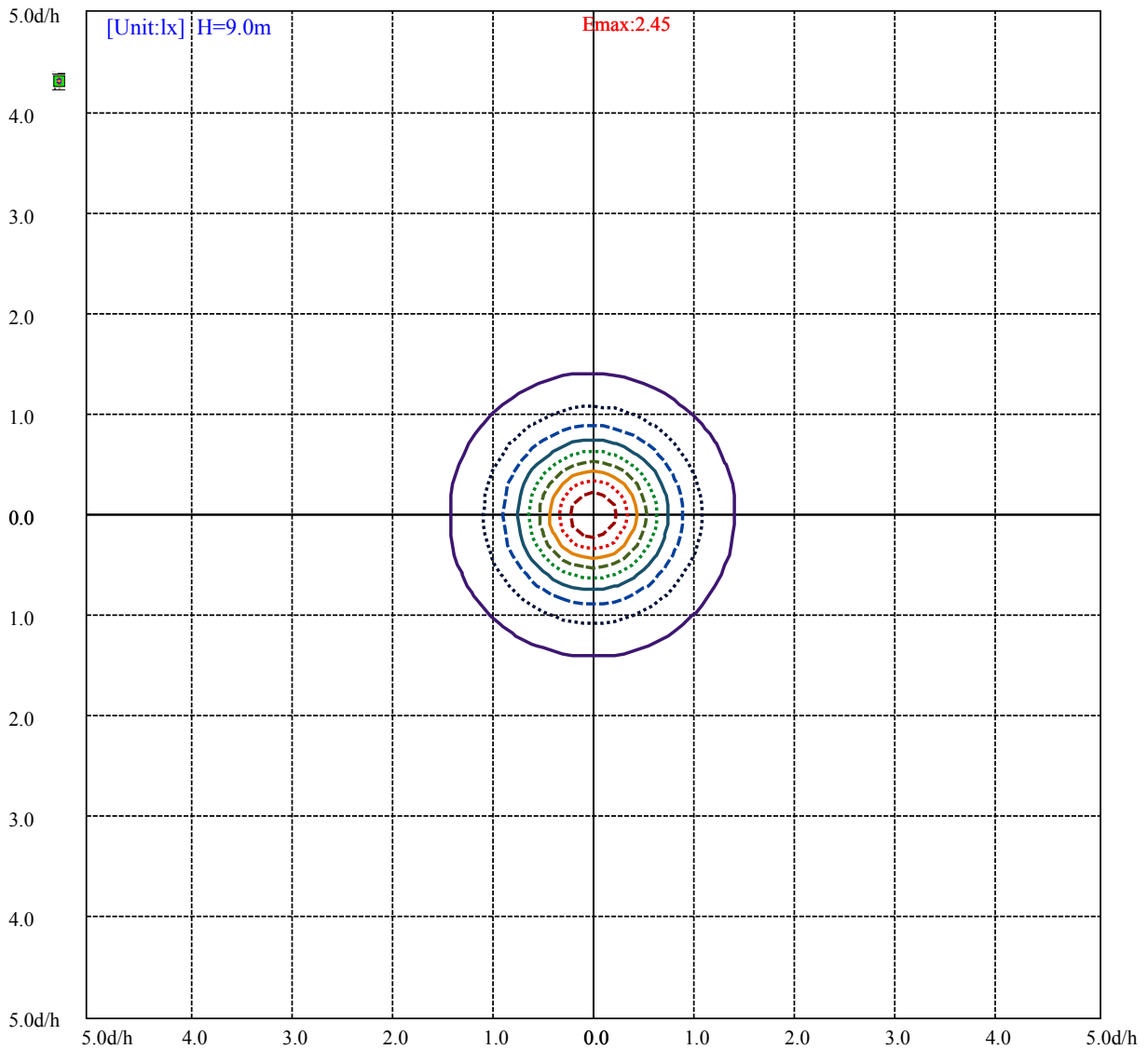
House

Road

Imax:198.58cd

(10%Imax) 19.8575	—
(20%Imax) 39.715	⋯
(30%Imax) 59.5725	- - -
(40%Imax) 79.43	—
(50%Imax) 99.2875	⋯
(60%Imax) 119.145	- - -
(70%Imax) 139.003	—
(80%Imax) 158.86	⋯
(90%Imax) 178.717	- - -

SECTION 9: ISO ILLUMINANCE DIAGRAM



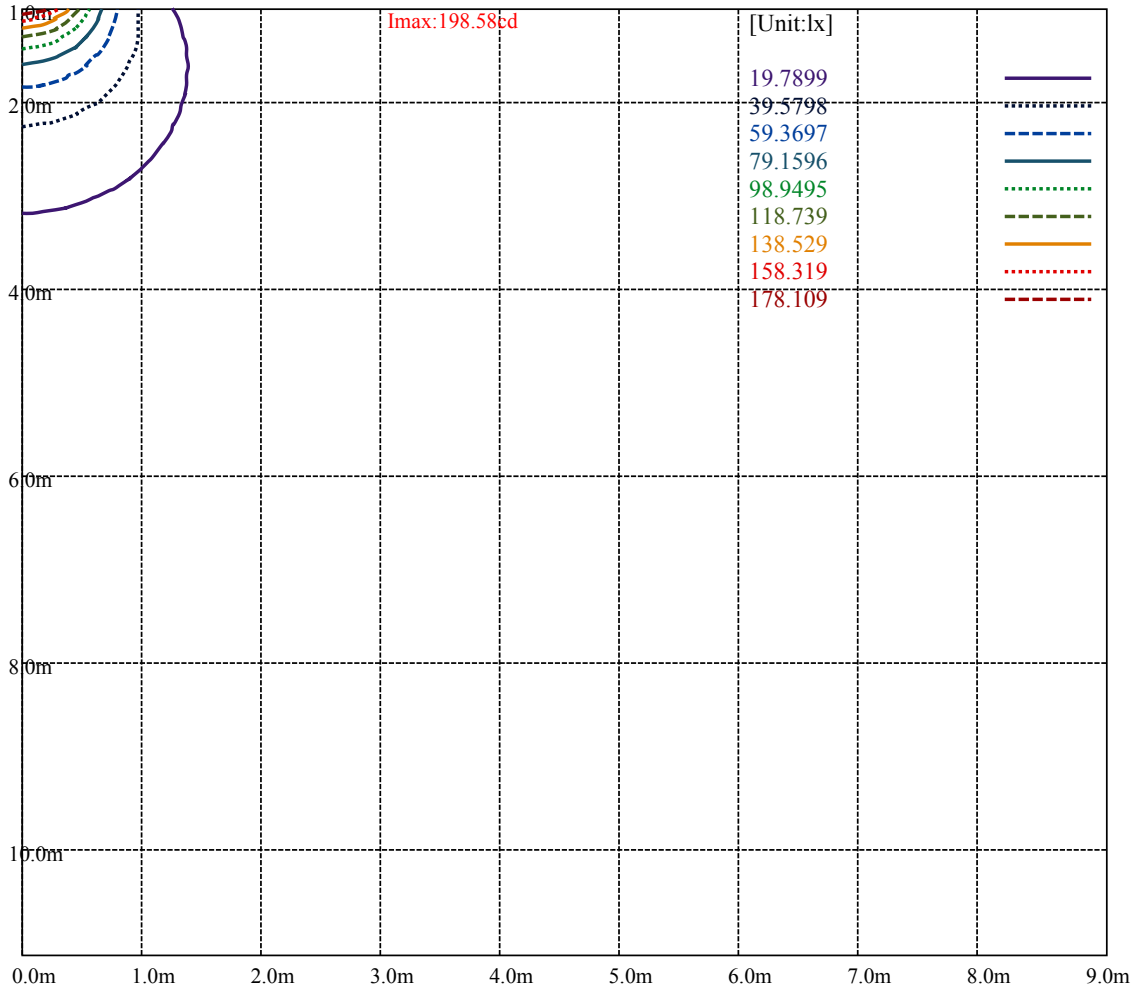
(10%Emax) 0.2448407	———
(20%Emax) 0.4896827
(30%Emax) 0.7345234	- - - - -
(40%Emax) 0.9793654	———
(50%Emax) 1.224206
(60%Emax) 1.469049	- - - - -
(70%Emax) 1.713889	———
(80%Emax) 1.958728
(90%Emax) 2.203568	- - - - -

Equipment: GMS1800B
Temperature(°C): 25.0

Date: 2015-11-5
Humidity(%): 60.0%

Operator: Jason Zhan
Distance(m): 13.00

SECTION 10: SPACE ISO LUX DIAGRAM



Equipment: GMS1800B
Temperature(°C): 25.0

Date: 2015-11-5
Humidity(%): 60.0%

Operator: Jason Zhan
Distance(m): 13.00